

Sensor cable mounting clip

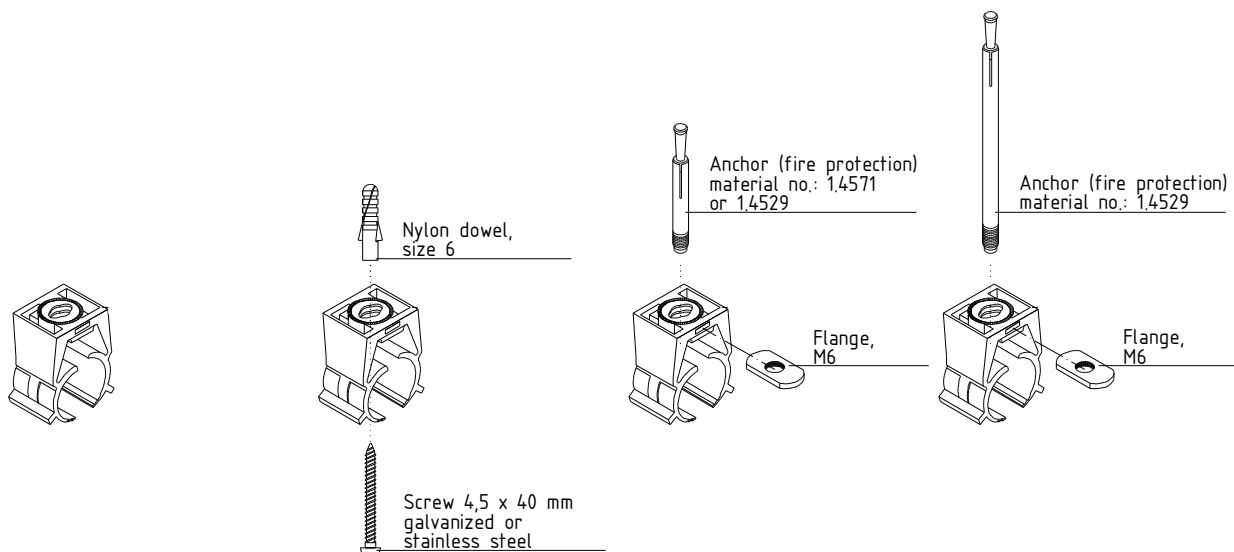


Features

- ◆ Single piece self-locking polyamide cable clamp for **SEC 20** in- and outdoor use
- ◆ Tool-free locking mechanism
- ◆ Installation with metric fire protection anchor or wood screw
- ◆ Halogen-free according to IEC 754-2, very high UV-resistance for outdoor use according to ISO 4892-2
- ◆ Approved according to KIWA and UL (1565/2043)
- ◆ Temperature range -30 ... +110 °C
- ◆ Clamping range 16,8 ... 19,5 mm

Ordering Information

- | | |
|---|-------------------------|
| ◆ Mounting device MDP 10 | Art.-no.: M00324 |
| Cable clamp CLIC TOP 17 , with nylon dowel and screw, galvanized | |
| ◆ Mounting device MDP 20 | Art.-no.: M00319 |
| Cable clamp CLIC TOP 17 , with nylon dowel and screw, stainless steel | |
| ◆ Mounting device MDP 40 | Art.-no.: M00320 |
| Cable clamp CLIC TOP 17 , with fire protection anchor, material no.: 1.4571 / DIN EN X6 CrNiMoTi 17-12-2 and stainless steel flange M6, anchoring depth 26 mm | |
| ◆ Mounting device MDP 50 | Art.-no.: M00322 |
| Cable clamp CLIC TOP 17 , with fire protection anchor, material no.: 1.4529 / DIN EN X1 NiCrMoCuN 25-20-7 and stainless steel flange M6, anchoring depth 26 mm | |
| ◆ Mounting device MDP 50-T | Art.-no.: M00323 |
| Cable clamp CLIC TOP 17 , with fire protection anchor, material no.: 1.4529 / DIN EN X1 NiCrMoCuN 25-20-7 and stainless steel flange M6, anchoring depth 66 mm | |



Sensor cable mounting clip

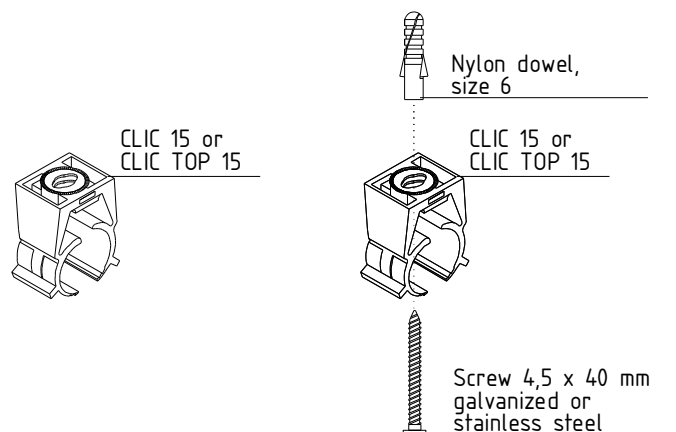


Features

- ◆ Single piece self-locking polyamide cable clamp for sensor cable **SEC 15** indoor (**CLIC 15**) and outdoor use (**CLIC TOP 15**)
- ◆ Tool-free locking mechanism
- ◆ Installation with metric fire protection anchor or wood screw
- ◆ Halogen-free according to IEC 754-2, UV-resistance according to ISO 4892-2
- ◆ Approved according to KIWA and UL (1565/2043)
- ◆ Temperature range **CLIC 15** : -25 ... +90 °C
- ◆ Temperature range **CLIC TOP 15** : -30 ... +110 °C
- ◆ Clamping range 14,3 ... 16,8 mm

Ordering Information

- | | |
|--|-------------------------|
| ◆ Cable clamp CLIC 15
Without mounting material | Art.-no.: B0093 |
| ◆ Mounting device MDP 15
Cable clamp CLIC 15 , with nylon dowel and screw, galvanized | Art.-no.: M00318 |
| ◆ Mounting device MDP 25
Cable clamp CLIC 15 , with nylon dowel and screw, A4 | Art.-no.: M00325 |
| ◆ Cable clamp CLIC TOP 15 black
Black, similar to RAL 9011 | Art.-no.: Z00395 |
| ◆ Cable clamp CLIC TOP 15 dg
Dark grey, similar to RAL 7001 | Art.-no.: Z00401 |



Cable Tie FEMC

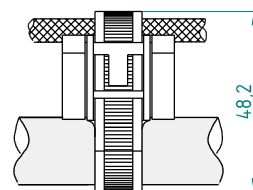
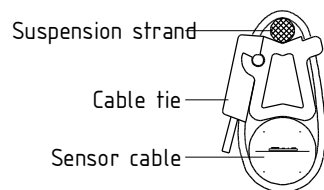
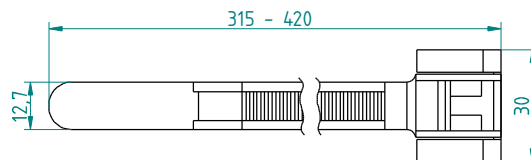


Features

- ◆ Detachable cable mount for sensor cables **SEC 15** and **SEC 20** on suspension strands
- ◆ Polyamide 6.6, modified for impact-resistance, halogen-free, heat- and UV-stabilised
- ◆ Approved according to UL94 HB
- ◆ Temperature range -40 ... +85 °C
- ◆ Clamping range for a cable bundle of up to 70 mm Ø
- ◆ To be used with **Stainless steel cable tie FECT 201-A4**, in order to secure sensor cable in case of fire

Ordering Information

- | | |
|--|-------------------------|
| ◆ Cable tie for rope assembly FEMC
Length 315 mm | Art.-no.: Z00384 |
| ◆ Stainless steel cable tie FECT 201-A4
Cable tie, material no.: 1.4401 / DIN EN: X5 CrNiMo 17-12-2, length 201 mm | Art.-no.: Z00360 |



J Cable Clamp MDJ

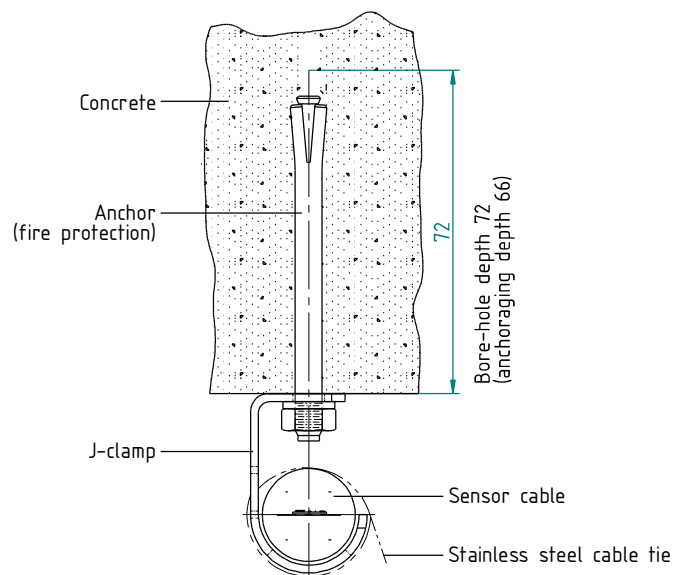


Features

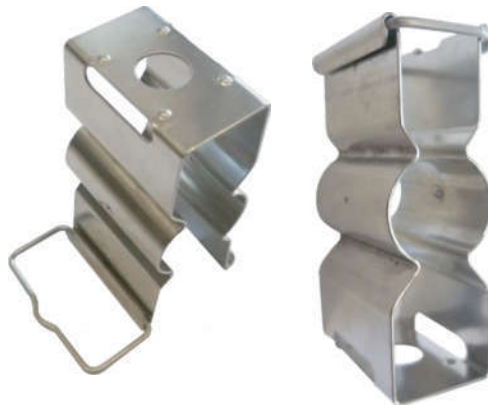
- ◆ Half-open stainless steel cable clamp with stainless steel cable tie to affix sensor cables **SEC 15** and **SEC 20**
- ◆ Mounting via fire protection anchor, washer and nut M6
- ◆ To be used with **Stainless steel cable tie FECT 201-A4**, in order to secure sensor cable in case of fire

Ordering Information

- | | |
|---|-------------------------|
| ◆ Mounting device MDJ 40
With fire protection anchor, washer, nut M6 and cable tie, anchoring depth 66 mm,
material no.: 1.4571 / DIN EN: X6 CrNiMoTi 17-12-2 | Art.-no.: M00329 |
| ◆ Mounting device MDJ 50
With fire protection anchor, washer, nut M6 and cable tie, anchoring depth 66 mm,
material no.: 1.4529 / DIN EN: X1 NiCrMoCuN 25-20-7 | Art.-no.: M00363 |
| ◆ J cable clamp 1.4571
Stainless steel cable clamp, material no.: 1.4571 / DIN EN: X6 CrNiMoTi 17-12-2 | Art.-no.: Z00349 |
| ◆ J cable clamp 1.4529
Stainless steel cable clamp, material no.: 1.4529 / DIN EN: X1 NiCrMoCuN 25-20-7 | Art.-no.: Z00374 |



Cable Clamp MDC



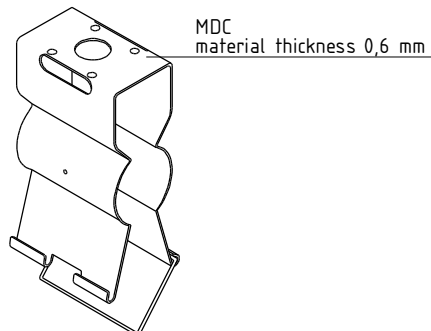
Features

- ◆ Stainless steel cable clamp with re-openable locking clip for sensor cables **SEC 15** and **SEC 20**
- ◆ Tool-free locking mechanism

Bestellinformation

- ◆ **Cable clamp MDC**
Material no.: 1.4301 / DIN EN: X5 CrNi 18-10, without mounting material

Art.-no.: **Z00344**



FireSense Benelux
Stammerkamp 19
1112 VE DIEMEN
The Netherlands

T +31 (0)20 669 41 90
F +31 (0)20 669 18 52

E info@firesense.nl
I www.firesense.nl