

RDU 316



Features

- ◆ Remote display unit for controller messages from a distance of up to 1.000 m via **RS485** connection
- ◆ May be combined with up to 31 control units **SCU 800**
- ◆ May be combined with one control unit LISTcontroller **SEC** or LISTcontroller **LB**
- ◆ Alarm indication on unit front via **LED**
- ◆ Highly durable via utilisation of maintenance-free components, RoHS compliant
- ◆ Very low energy consumption

General Data

- ◆ Operating temperature: 0 °C ... +60 °C
- ◆ Dimensions: 144,2 x 114,2 x 60,0 mm, (w x h x d, maximum including cable-glands)
- ◆ Case material: Thermoplast ASA/PC, halogen-free
- ◆ Weight: 0,35 kg
- ◆ Power supply: 10 V ... 30 V DC
- ◆ Current draw: 42 mA (normal) / 105 mA (alarm), at 24 V DC
- ◆ Power consumption: Max. 2,5 W
- ◆ Ingress protection: IP 65
- ◆ Finish: RAL 7035, light grey
- ◆ Cover screws: Stainless steel, material 1.4567 (DIN EN X3 CrNiCu 18-9-4), captive
- ◆ Gasket: Silicone
- ◆ Integrated lid support: Polypropylen (PP)
- ◆ Mounting: Mounting screws outside enclosure interior
- ◆ Cable gland: Membrane cable-gland CLIXX 20

Combustion behaviour

- ◆ UL 94 V-0, self-extinguishing
- ◆ EN 60695-11-10 / IEC 60695-11-10
- ◆ VDE 0471 part 11-10
- ◆ CSA C 22.2

Front Panel Displays

- ◆ Operation: **LED green**
- ◆ Data transmission: **LED blue**
- ◆ Fault: **LED orange**
- ◆ Fire alarm: **LED red**
- ◆ **LC-Display:** Plain text messages and menu navigation
(blue information display only for **LISTcontroller LB**)

Designation
T: tt.t D:tt.t
dd.mm.yy hh:mm

nnn Measuring
Umm Znnn Soooo
dd.mm.yy hh:mm

nnn T-heating
Umm Znnn Soooo
dd.mm.yy hh:mm

nnn Fire alarm
Umm Znnn Soooo
dd.mm.yy hh:mm

F: RDT Mode
dd.mm.yy hh:mm

Front Panel Operation

- ◆ 5 button membrane keyboard for menu navigation, data and function input

Connections and Interfaces

- ◆ 24 V DC: Power supply
- ◆ RS485: **RS485** data-interface for LIST communication to **SCU 800** or LISTcontroller
- ◆ USB: For software updates

Ordering Information

- ◆ Remote Display Unit RDU 316 Art.-no.: G00493

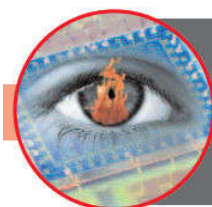
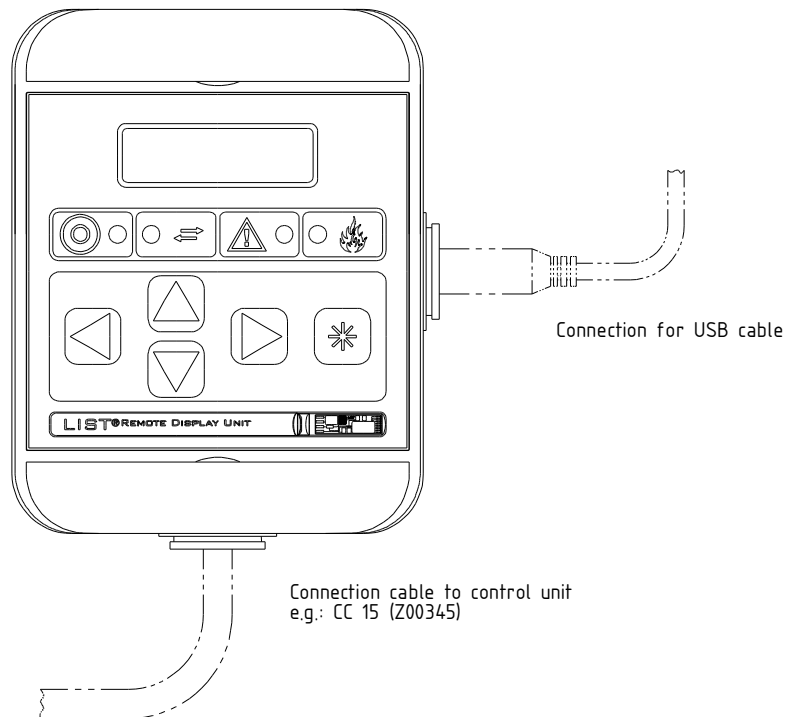
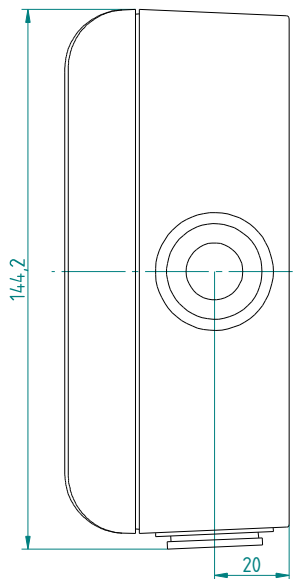
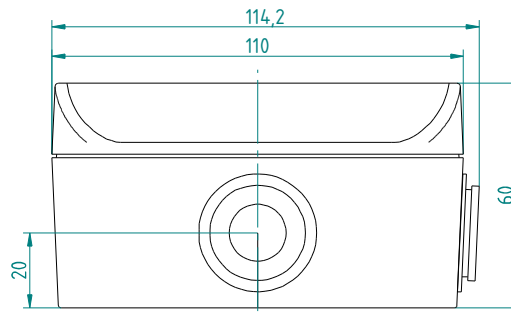
Scope of Delivery

- ◆ Remote Display Unit RDU 316, including LISTmemory **USB** flash drive

Dimensions

Case material: ABS-FR
Ingress protection: IP 65
Colour: Light grey

Installation: Provide sufficient space for connection cable bending radius.



FireSense Benelux
Stammerkamp 19
1112 VE DIEMEN
The Netherlands

T +31 (0)20 669 41 90
F +31 (0)20 669 18 52

E info@firesense.nl
I www.firesense.nl