

Connection Box CBO 5



General Data

- ◆ Case material: Glass-fibre reinforced polycarbonate, free from halogen, silicone and heavy metal, UV- and weather-proof
- ◆ Ingress protection: IP 66 according to EN 60529:2000
- ◆ Protection class: II – protective insulation according to VDE 0106
- ◆ Impact resistance: IK 08, according to DIN EN 50102 (VDE 0470-100)
- ◆ Case body: Grey, similar to RAL 7035
- ◆ Case lid: Red, similar to RAL 3020
- ◆ Gasket: Polyurethane
- ◆ Mounting: Mounting screws outside of sealed enclosure interior
- ◆ Operating temperature: -35 °C ... +60 °C, up to +80 °C short term
- ◆ Cable glands: Metric, with O-Ring
- ◆ Weight: 0,48 ... 0,55 kg (depending on configuration)
- ◆ Dimensions: 130,0 x 130,0 x 74,7 mm, without cable glands (w x h x d)

Combustion behaviour

- ◆ UL 94 V-2
- ◆ UL50 5VA / UL 746C
- ◆ EN 60695-11-10 / IEC 60695-11-10, 960 °C
- ◆ VDE 0471 part 11-10, 960 °C
- ◆ CSA C 22.2

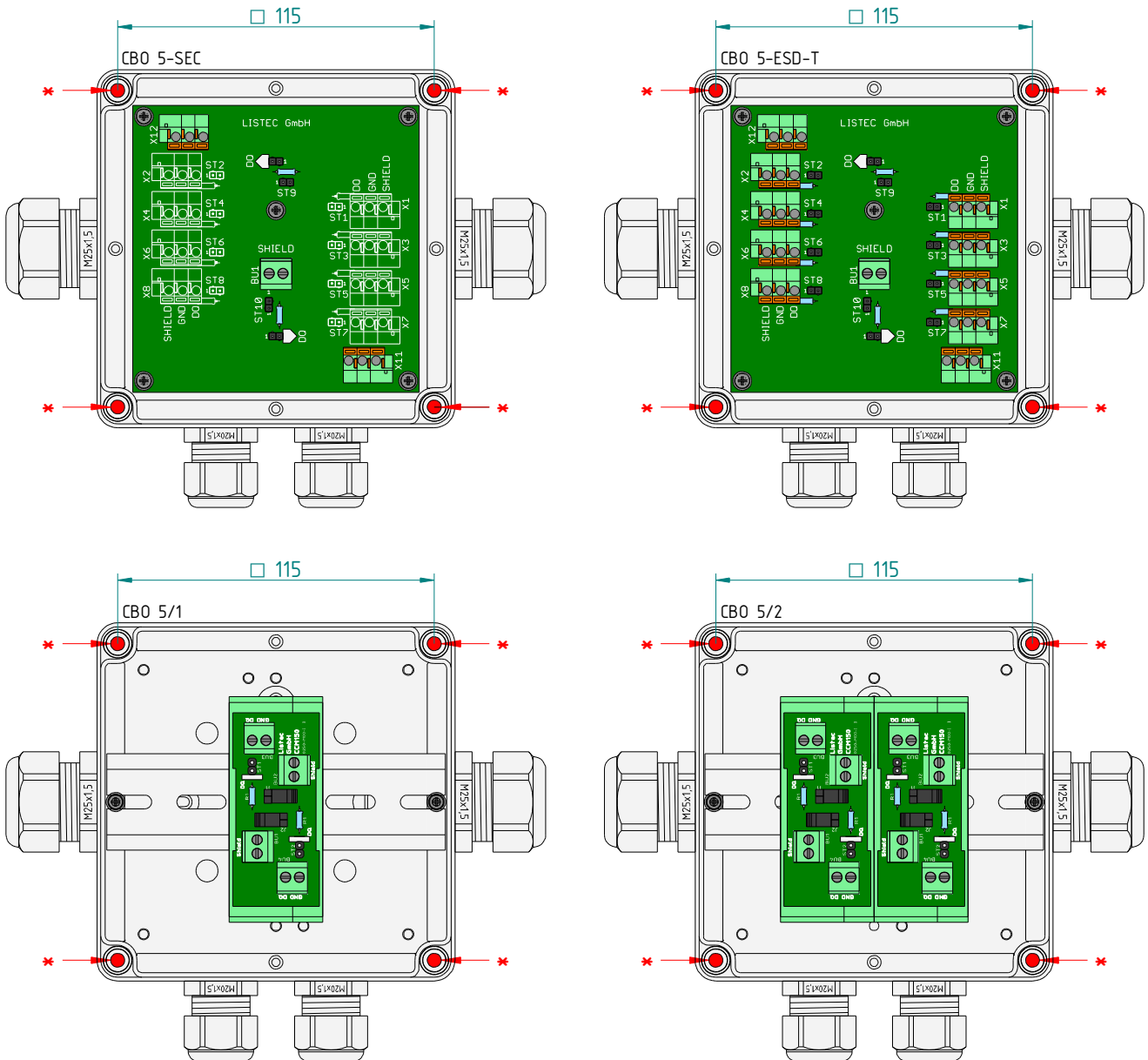
Ordering Information

- ◆ **Connection Box CBO 5-SEC** Art.-no.: **G00300**
Connection of up to two sensor cables **SEC 15** and up to two connection cables **CC 15** to **SCU 800** port **A** or **B**
- ◆ **Connection Box CBO 5-ESD-T** Art.-no.: **G00530**
Type 1: Connection of up to two sensor cables **SEC 15** and up to two connection cables **CC 15** to **SCU 800** port **A** or **B**
Type 2: Connection of one sensor cable **SEC 15**, up to four external sensors **ESD**, and up to two connection cables **CC 15** to **SCU 800** port **A** or **B**
Type 3: Connection of up to eight external sensors **ESD** and up to two connection cables **CC 15** to **SCU 800** port **A** or **B**
- ◆ **Connection Box CBO 5/1** Art.-no.: **G00542**
Connection of up to two sensor cables **SEC 15** and up to two connection cables **CC 15** to **SCU 800** port **A** or **B**
- ◆ **Connection Box CBO 5/2** Art.-no.: **G00543**
Connection of two sensor cables **SEC 15** and one connection cable **CC 15** each to **SCU 800** port **A** and **B**

Scope of Delivery

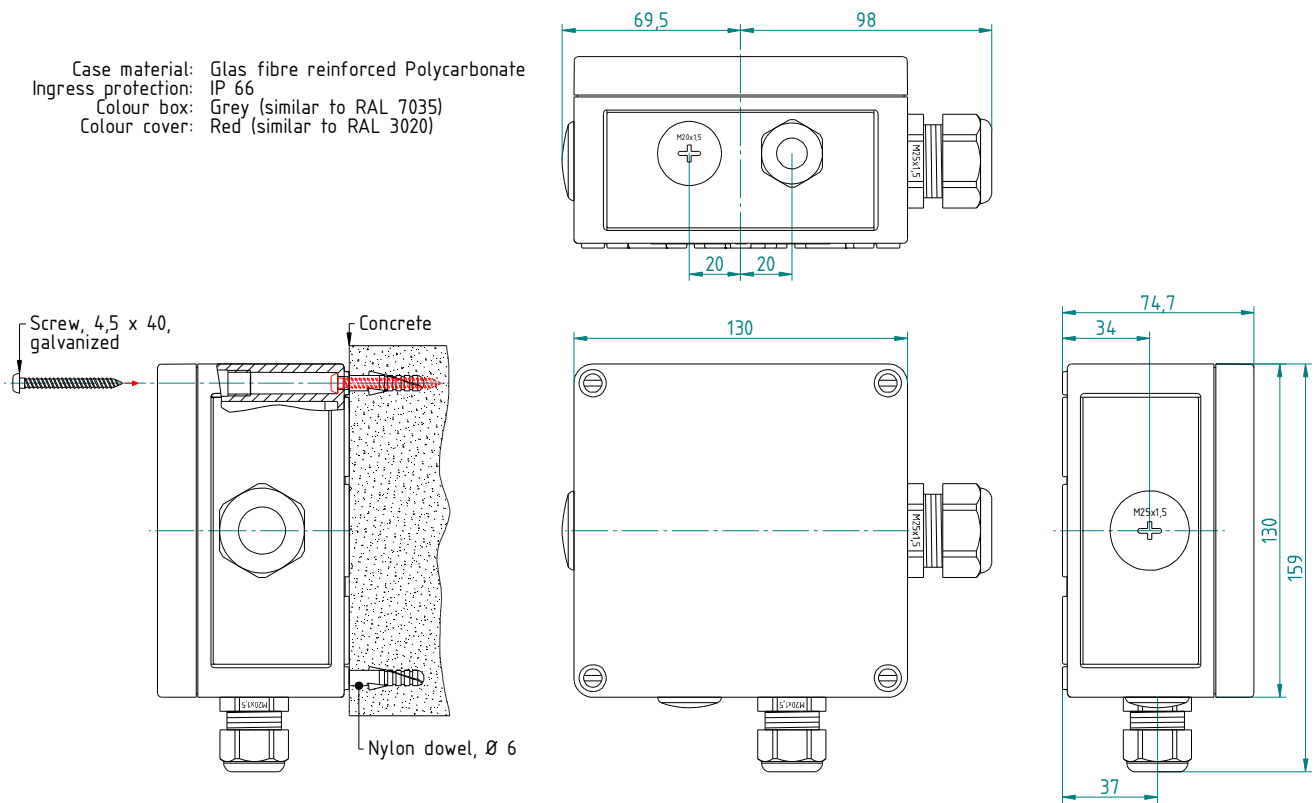
- ◆ **Connection Box CBO 5-SEC**, including universal connection module **UCM-SEC**, mounting materials, metric cable glands and connection materials
- ◆ **Connection Box CBO 5-ESD-T**, including universal connection module **UCM-ESD**, mounting materials, metric cable glands and connection materials
- ◆ **Connection Box CBO 5/1**, including one connection module **CCM 150-A**, mounting materials, metric cable glands and connection materials
- ◆ **Connection Box CBO 5/2**, including two connection modules **CCM 150-A**, mounting materials, metric cable glands and connection materials

CBO 5 Models



Dimensions

Case material: Glas fibre reinforced Polycarbonate
 Ingress protection: IP 66
 Colour box: Grey (similar to RAL 7035)
 Colour cover: Red (similar to RAL 3020)



Attention!
 When mounting the connection box, use only the mounting holes * as provided!
 Do not drill any hole into the connection box!
 Close unused openings with plugs!
 Use the accompanying seals when inserting glands and plugs!
 Provide sufficient space for connection cable bending radius (25 cm for SEC 15).



FireSense Benelux
 Stammerkamp 19
 1112 VE DIEMEN
 The Netherlands

T +31 (0)20 669 41 90
 F +31 (0)20 669 18 52

E info@firesense.nl
 I www.firesense.nl