

RIM 35

Relay Interface Module for ASD 535

Beginning with production number 250408

The RIM 35 is an expansion module for the ASD 535 aspirating smoke detector. It has 5 relays with potential-free change-over contacts.

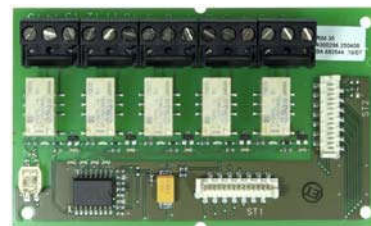


Fig. 1 RIM 35

Description

Up to two RIM 35 units can be installed in the ASD 535 aspirating smoke detector. Depending on device version, the relays can be configured with pre-defined criteria (Default) or can be freely programmed using the "ASD Config" configuration software.

Mounting / Installation

There are four expansion slots for mounting the optional expansion modules in the detector box of the ASD 535.

In the installation set of the RIM 35 there are module holders, retaining screws and the connection cable (ribbon cable) for connecting to the AMB 35 (see Fig. 2).

RIM 35 Relay Interface Modules are always connected to Option3. If two RIM 35 units are installed, the second RIM 35 is supplied with electrical power from the first RIM 35 (cascading according to Fig. 3). The RIM 35 connected to the AMB 35 on the Option3 connector is always the first RIM 35.

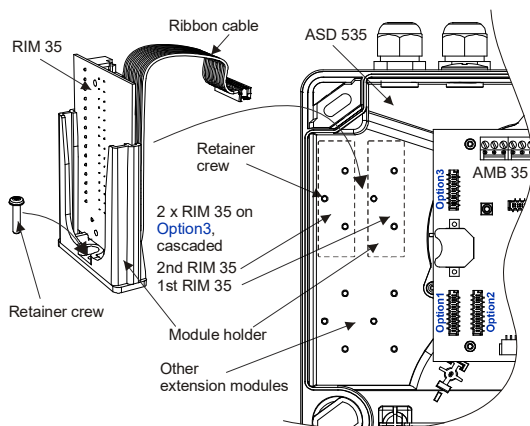


Fig. 2 Installing the RIM 35

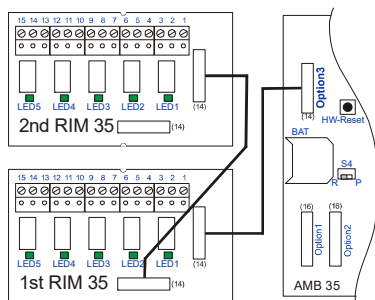


Fig. 3 Wiring the RIM 35

Programming

Depending on ASD device version, the relays can be configured with the following criteria (default) or can be freely programmed with the "ASD Config" configuration software.

RIM / relay	Device version	Function, Event
1st RIM / Rel. 1	all	Pre-signal 1 smoke sensor I
1st RIM / Rel. 2		Pre-signal 2 smoke sensor I
1st RIM / Rel. 3		Pre-signal 3 smoke sensor I
1st RIM / Rel. 4		Smoke sensor I dirty
1st RIM / Rel. 5		Sampling tube I blockage
2nd RIM / Rel. 1	ASD 535-1 ASD 535-3	Freely programmable
2nd RIM / Rel. 2		Freely programmable
2nd RIM / Rel. 3		Freely programmable
2nd RIM / Rel. 4		Freely programmable
2nd RIM / Rel. 5		Freely programmable
2nd RIM / Rel. 1	ASD 535-2 ASD 535-4	Pre-signal 1 smoke sensor II
2nd RIM / Rel. 2		Pre-signal 2 smoke sensor II
2nd RIM / Rel. 3		Pre-signal 3 smoke sensor II
2nd RIM / Rel. 4		Smoke sensor II dirty
2nd RIM / Rel. 5		Sampling tube II blockage

The available criteria that can be programmed on the relays can be found in Technical Description T 131 192, section 7.2.2.

Displays


For each relay on the RIM 35 there is a green LED which indicates the triggered state of the relay (see also Fig. 3).

Commissioning

The RIM 35 is automatically detected when the device is switched on and monitored from then on. If the RIM is subsequently removed (e.g. because it is not used), it must be logged off via the control unit on the AMB 35 Main board (see Technical Description T 131 192, section 7.3.7).

Terminal assignment

Terminal	Signal
1	Rel. 1 "NO" — Pre-signal 1
2	Rel. 1 "NC" — or freely programmable
3	Rel. 1 "COM"
4	Rel. 2 "NO" — Pre-signal 2
5	Rel. 2 "NC" — or freely programmable
6	Rel. 2 "COM"
7	Rel. 3 "NO" — Pre-signal 3
8	Rel. 3 "NC" — or freely programmable
9	Rel. 3 "COM"
10	Rel. 4 "NO" — Dirty smoke sensor
11	Rel. 4 "NC" — or freely programmable
12	Rel. 4 "COM"
13	Rel. 5 "NO" — Sampling pipe blockage
14	Rel. 5 "NC" — or freely programmable
15	Rel. 5 "COM"

 Depending on the ASD device version, the assigned criteria (signals) upon product delivery apply to smoke sensor I on the first RIM 35 and to smoke sensor II on the second RIM 35. The assignment of individual or all relays can be changed with the "ASD Config" configuration software.

If two RIM 35 devices are deployed in the ASD 535-1 or ASD 535-3, the relays of the second RIM 35 are not configured with default criteria. The required programming must be performed with the "ASD Config" configuration software.

Dimensional drawing

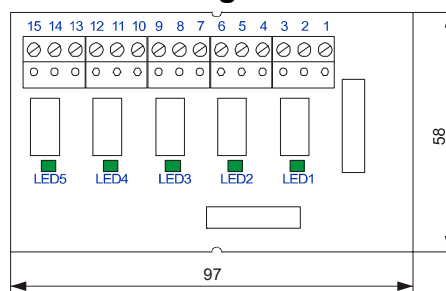


Fig. 4 RIM 35 dimensional drawing

Article numbers / spare parts

Brief description	Article number
RIM 35, incl. installation set	4000287.0101
Technical Description ASD 535	T 131 192
Application guidelines for refrigerated warehouses	T 131 390
Data sheet ASD 535	T 131 193

Technical data

Type	RIM 35	
Operating voltage from AMB 35	5	V-DC
Maximum current consumption	15	mA
Max. loading capacity relay contact	50	V-DC
	1	A
	30	W
	Ambient conditions acc. to IEC 721-3-3 / EN 60721-3-3 (1995)	
Extended ambient conditions:	3K5 / 3Z1	Class
• RIM 35 temperature range	-30 – +60	°C
• Max. permitted storage temperature (without condensation)	-30 – +70	°C
• Humidity ambient condition (transient without condensation)	95	% rel/F
• Humidity ambient condition (continuous)	70	% rel/F
Plug-in terminals	2.5	mm ²
Dimensions (H x W x D)	97 x 58 x 17	mm
Weight (including module holder)	85	g

Changes to Index a on pages: 2, 2